



Derek McKenzie

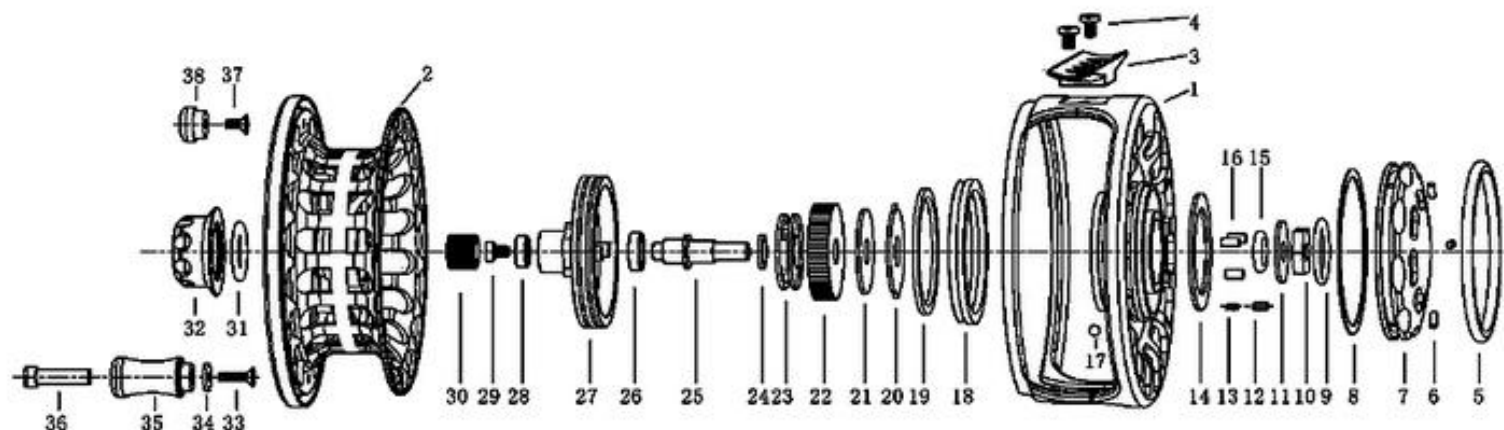
Fly Fishing Outfitters



30 Naples Street
Box Hill South 3128
Victoria Australia

Derek McKenzie Fly Fishing Outfitters

Mobile Phone: (61) 414.403.687



- | | | |
|---------------------|----------------------|-------------------|
| 1 Frame | 16 Drag plate pin | 31 O-ring |
| 2 Spool | 17 Stainless ball | 32 Spool cap |
| 3 Reel Foot | 18 Waterproof O-ring | 33 Screw |
| 4 Screw | 19 Rubber ring | 34 Washer |
| 5 Rubber ring | 20 Brake disc | 35 Handle Knob |
| 6 Stainless Pin | 21 Brake disc | 36 Handle Rivet |
| 7 Drag Knob | 22 Brake disc plate | 37 Screw |
| 8 Washer | 23 One-way component | 38 Handle Balance |
| 9 O-ring | 24 Washer | |
| 10 Retaining Clip | 25 Main Shaft | |
| 11 Brake Disc | 26 Bearing | |
| 12 Pawl | 27 One-way Cone | |
| 13 Pawl pin | 28 Bearing | |
| 14 Decorative piece | 29 Screw | |
| 15 O-ring | 30 One-way Cap | |

Derek McKenzie Fly Fishing Outfitters Mobile Phone: (61) 414.403.687

How to change over the right/left retrieve:

1. Loosen and remove spool using spool cap (32).
2. Use a hex key to loosen the screw inside the one-way cap (30).
3. Remove the one-way cap and locate one way component (23).
4. Remove one-way component by lifting out using the slots.
5. Turn the one-way component over and replace in the center.
6. Replace one-way cap (27).
7. Tighten screw with hex key in the one-way cap (30).
8. Replace spool and tighten spool cap (32).

The one way component (23) is located in the centre and should lift out using the slots fairly easily. Please contact us if you have any difficulty with this.